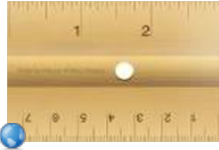


## Tools

### Ruler



Used to measure length and width of an object

-unit : inches and centimeters

### Meter stick



Used to measure length and width of an object

-unit: millimeters (mm) and centimeters (cm)

Aug 5-2:17 PM

### Graduated Cylinder



Used to measure liquid volume

-unit : milliliters (mL)

### Thermometer



Used to measure temperature

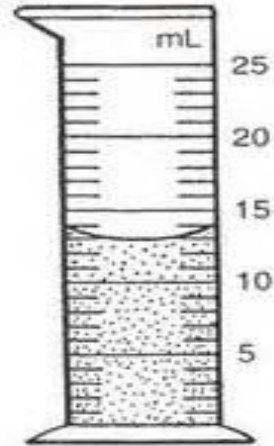
-unit: degrees Fahrenheit (F) and Celsius (C)

Aug 5-2:17 PM

## How to read a graduated cylinder

1. Come down to the eye level of the meniscus.

2. Read the lowest point of the meniscus.



Jul 7-2:38 PM

Triple beam  
balance



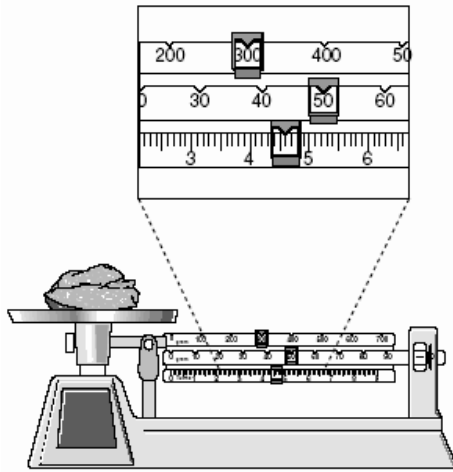
-Used to measure mass  
-unit : grams (g)

Barometer



-Used to measure air pressure  
-unit: millibars (mb)

Aug 5-2:17 PM



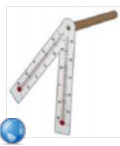
### How to read a triple beam balance

1. Place object on the silver plate.
2. Move riders until the mark on the right hand side of the riders is in line with the mark on the right side of balance.
3. Add up all three riders to get your measurement.

What is the mass of the rock?

Jul 7-2:47 PM

Sling psychrometer



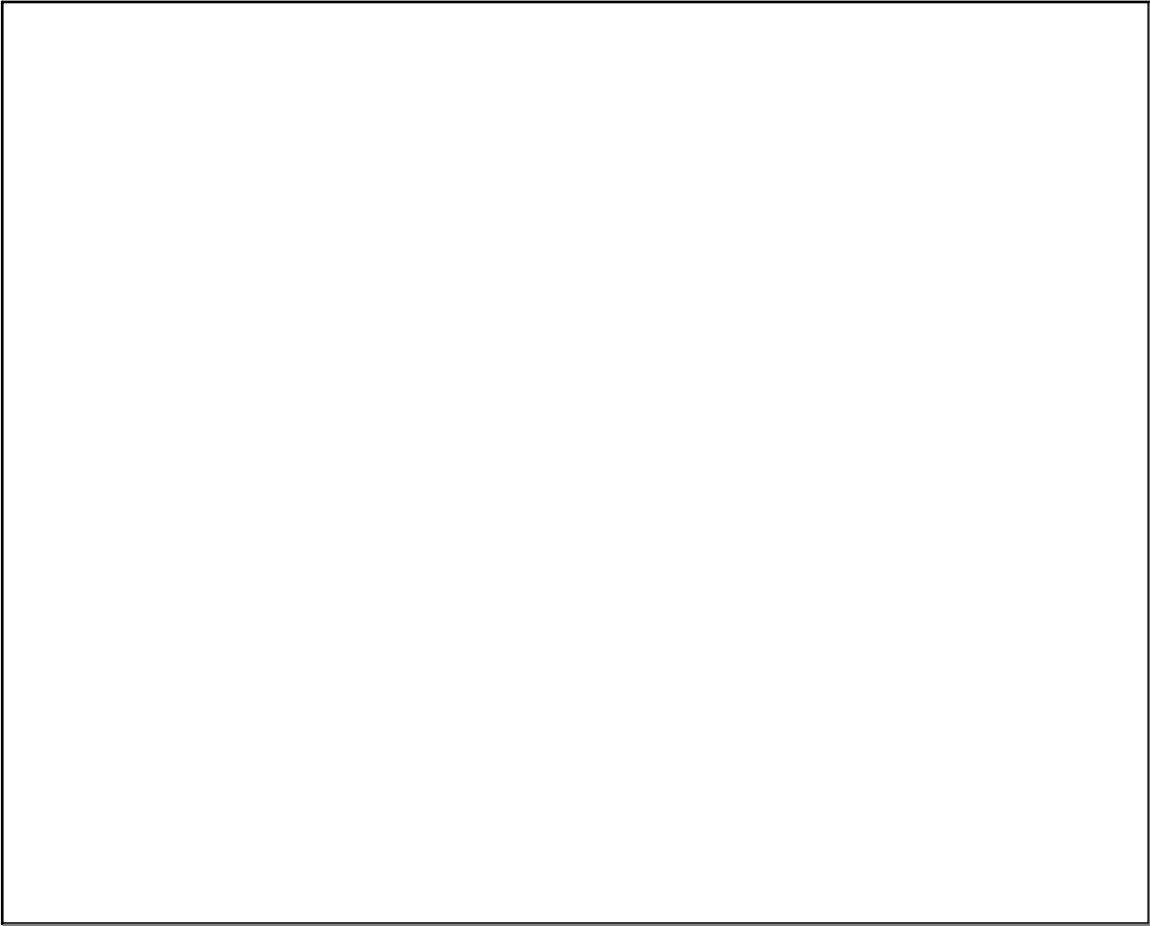
Used to measure relative humidity  
-unit : percentage

Spring Scale



-Used to measure weight of an object  
-unit: newtons (N) or grams (g)

Aug 5-2:17 PM



Jul 7-2:58 PM